

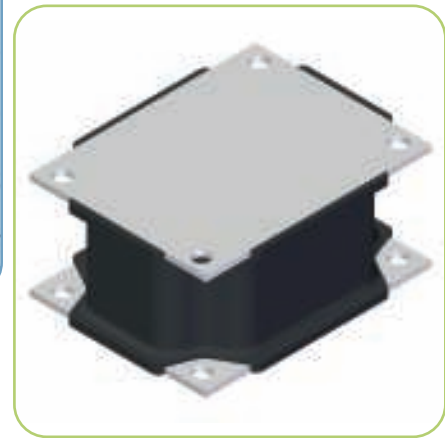
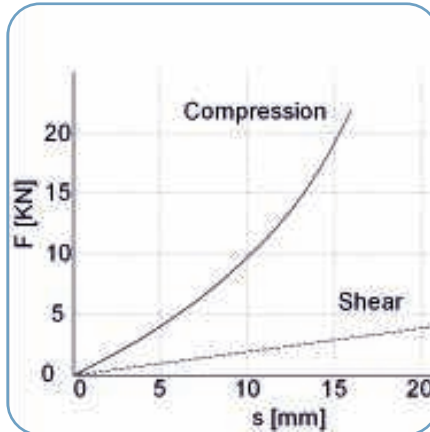
➤ Shear compression mounts



experientia
inovatie
promptitudine

Shear mounts

shear compression mounts, shear-mounts, vibratory plate buffers, vibratory rollers buffers, piling hammer buffers, hydraulic compactors buffers, shearmounts, shock mounts



Description:

The shear compression mounts are also known as: shearmounts, vibratory plate buffers, vibratory rollers buffers, piling hammer buffers, etc.

The shear compression mounts have high compression load with low shear stiffness; they are made of high grade natural rubber vulcanized on two metal plates. The mounts are maintenance free, compact and easy to install.

Mounting them in pairs in an angled arrangement will optimize their vibration isolation performance.

They are used to insulate vibration in vibratory compaction plates and vibratory rollers, provide a good dampening in piling hammers equipment and sustain large, heavy-duty equipment and machinery.

If for a certain application the shear compression mounts need to have other spring rates than the one enclosed, please contact us for more details.



205 FLX01 0001

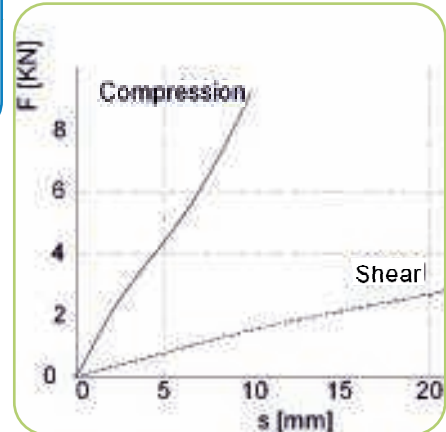
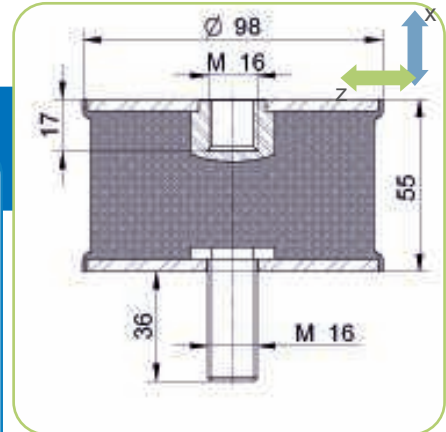


Description:

Product code: 205FLX010001

Compression spring rate: 940 N/mm.
Recommended max. compression force: 5640N.

Shear spring rate: 140 N/mm.
Recommended max. shear force: 1640 N.



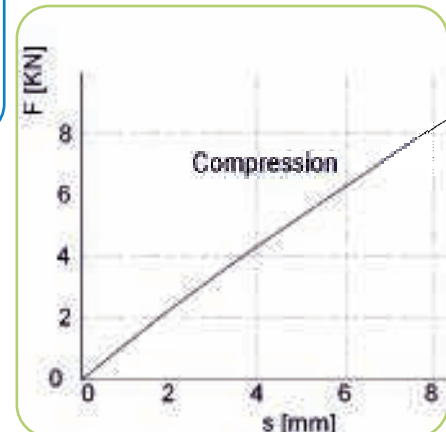
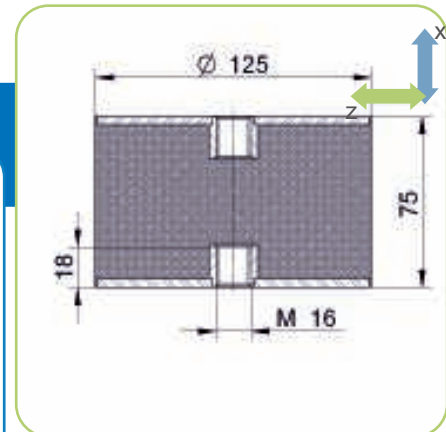
210 FLX01 0003



Description:

Product code: 210FLX010003

Compression spring rate: 1050 N/mm.
Recommended max. compression force: 8400N.



235 FLX01 0007



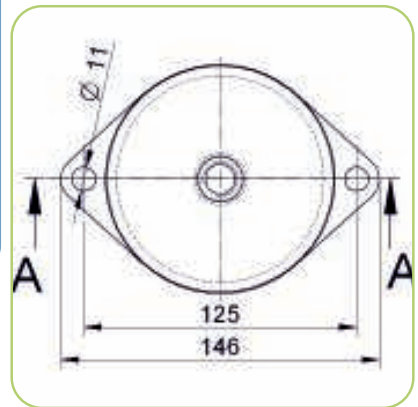
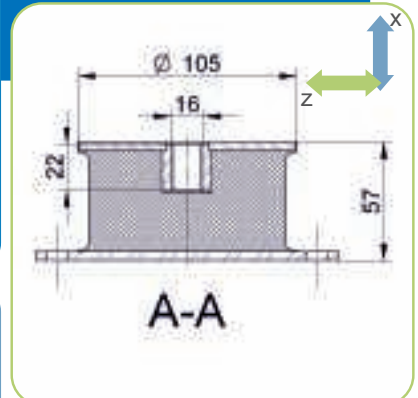
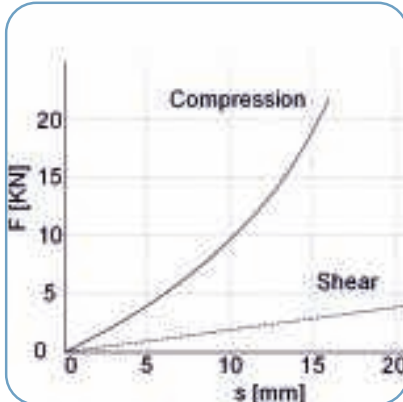
Description:

Product code:
235FLX010007

Compression spring rate:1000
N/mm.

Recommended max.
compression force: 6000 N.

Shear spring rate: 180N/mm.
Recommended max. shear
force: 2160 N.



235 FLX01 0013



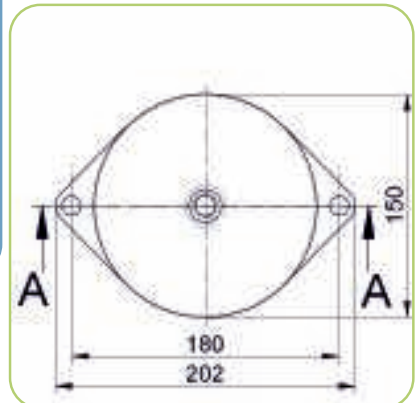
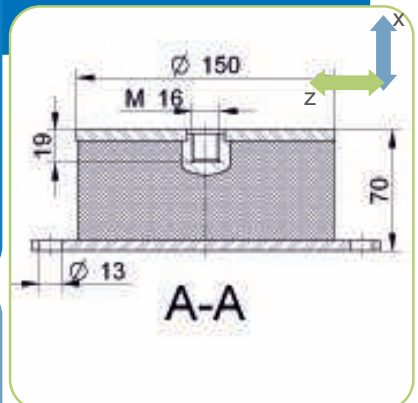
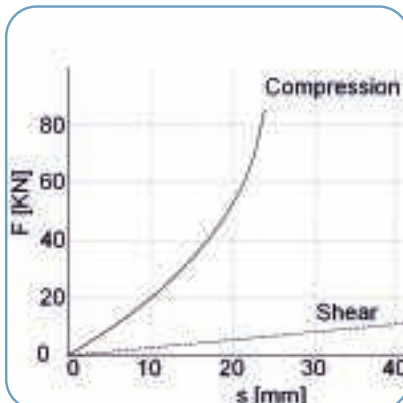
Description:

Product code: 235FLX010013

Compression spring rate:2330
N/mm.

Recommended max.
compression force: 27000N.

Shear spring rate: 265N/mm.
Recommended max. shear
force: 3074 N.



235 FLX01 0014

Description:

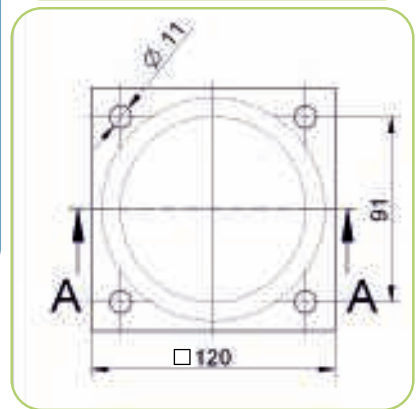
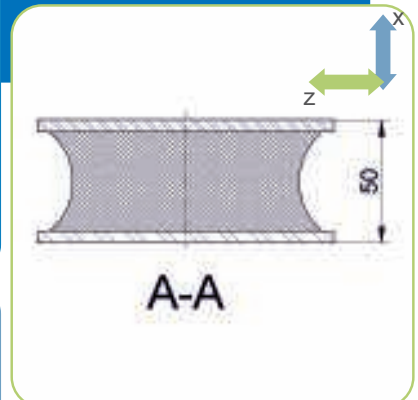
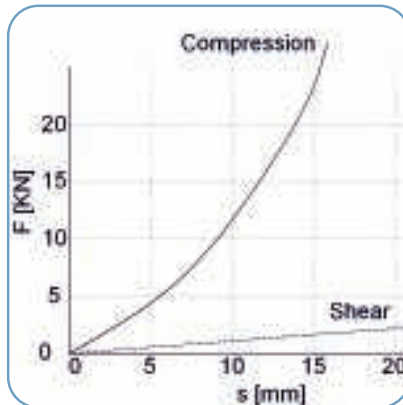
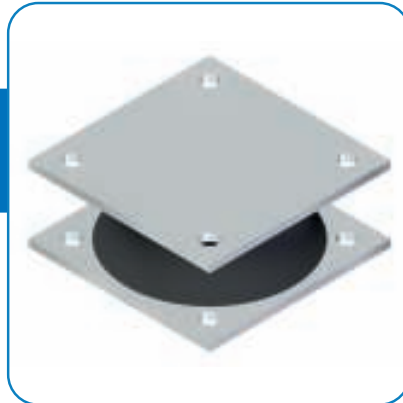
Product code: 235FLX010014

Compression spring rate: 1060 N/mm.

Recommended max. compression force: 8480N.

Shear spring rate: 116N/mm.

Recommended max. shear force: 1044 N.



235 FLX01 0004

Description:

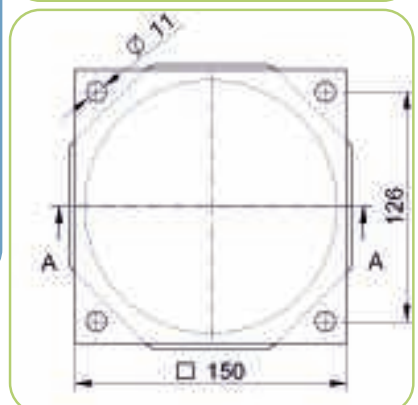
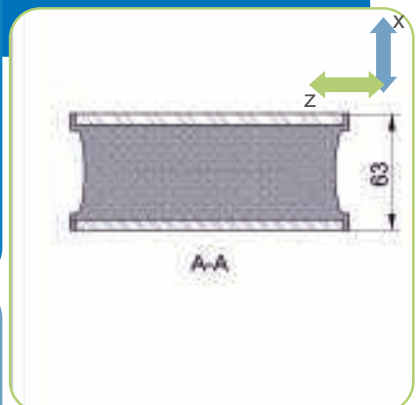
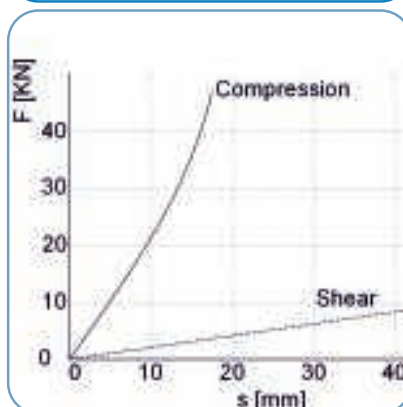
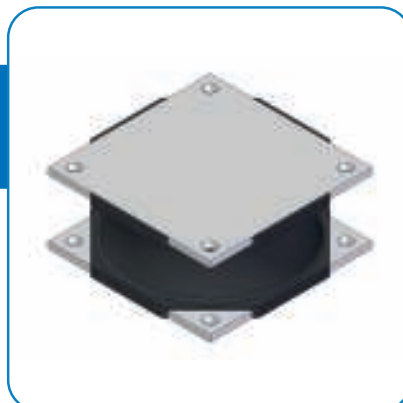
Product code: 235FLX010004

Compression spring rate: 2300 N/mm.

Recommended max. compression force: 23000N.

Shear spring rate: 270N/mm.

Recommended max. shear force: 3510 N.



235 FLX01 0002

Description:

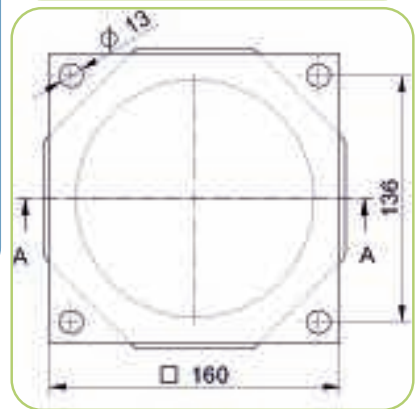
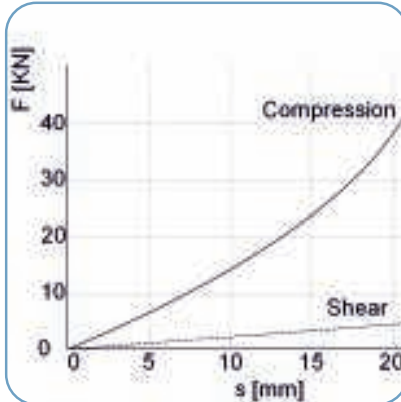
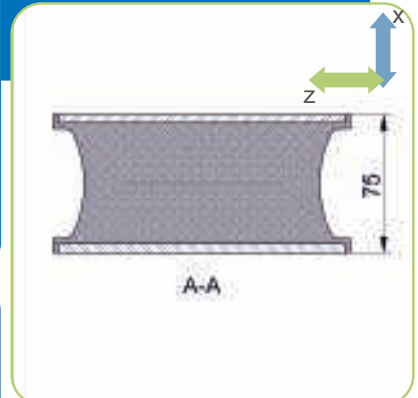
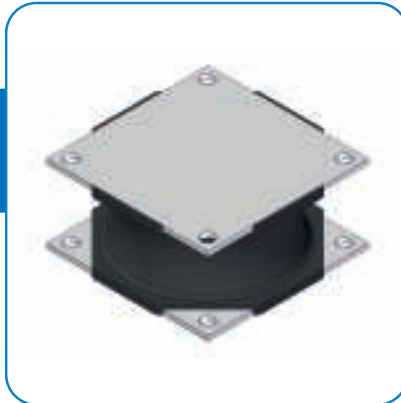
Product code: 235FLX010002

Compression spring rate: 1540 N/mm.

Recommended max. compression force: 20020 N.

Shear spring rate: 200N/mm.

Recommended max. shear force: 2800 N.



235 FLX01 0003

Description:

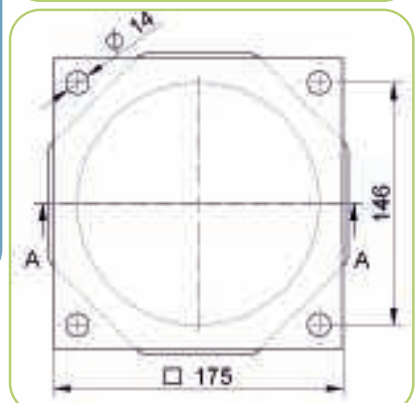
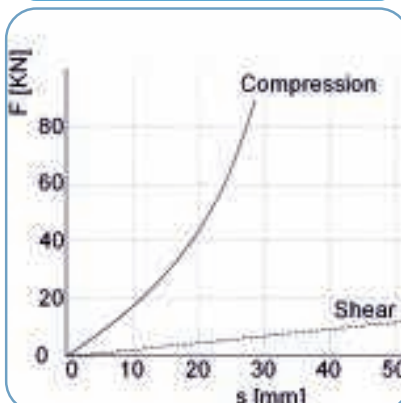
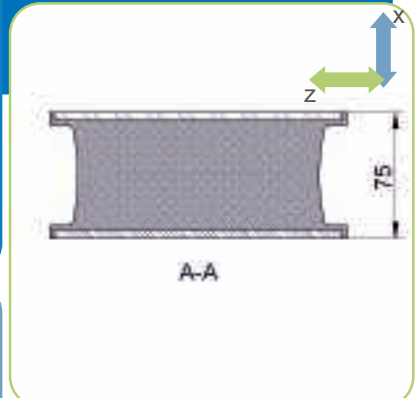
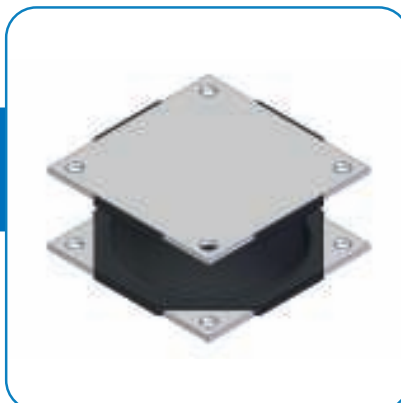
Product code: 235FLX010003

Compression spring rate: 2460 N/mm.

Recommended max. compression force: 32000N.

Shear spring rate: 220N/mm.

Recommended max. shear force: 3520 N.



235 FLX01 0015

Description:

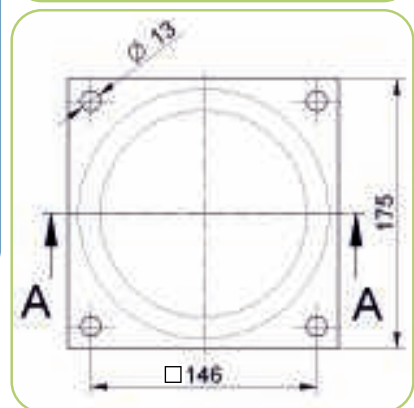
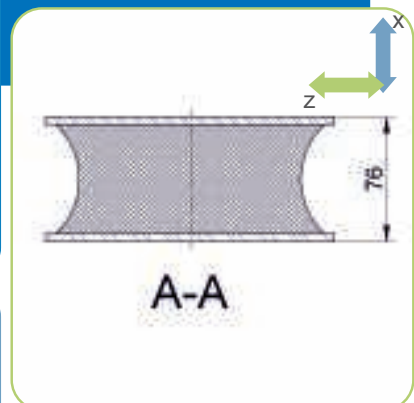
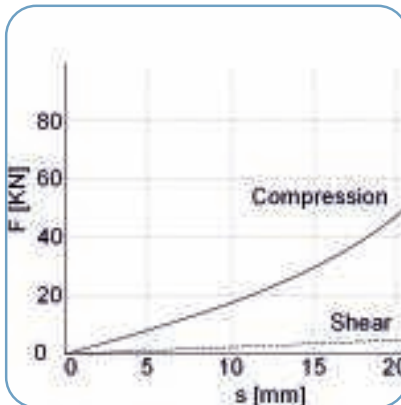
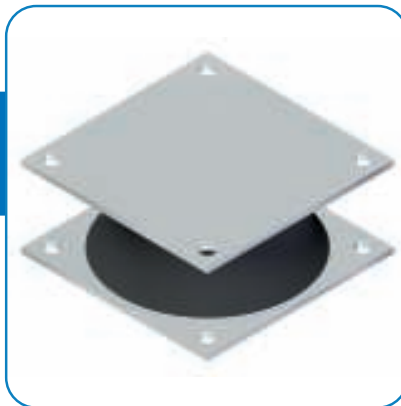
Product code: 235FLX010015

Compression spring rate: 1920 N/mm.

Recommended max. compression force: 24960N.

Shear spring rate: 220N/mm.

Recommended max. shear force: 3630 N.



235 FLX01 0006

Description:

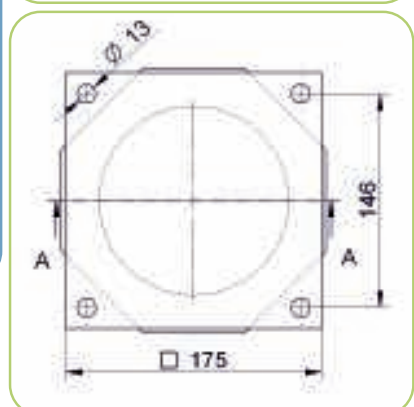
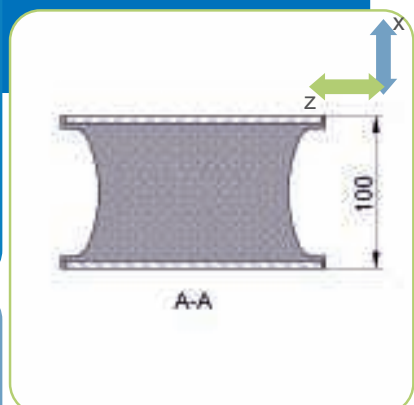
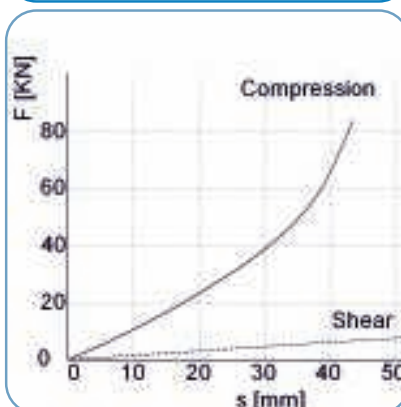
Product code: 235FLX010006

Compression spring rate: 1060 N/mm.

Recommended max. compression force: 19100N.

Shear spring rate: 150N/mm.

Recommended max. shear force: 3450 N.



235 FLX01 0010

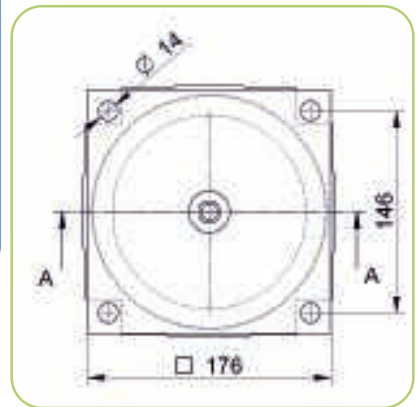
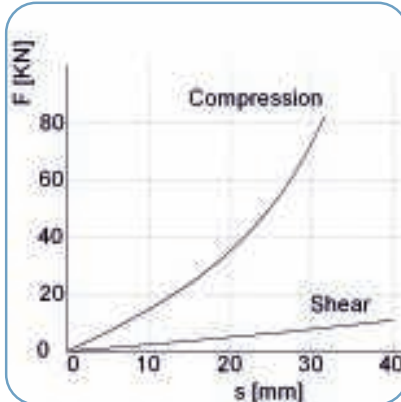
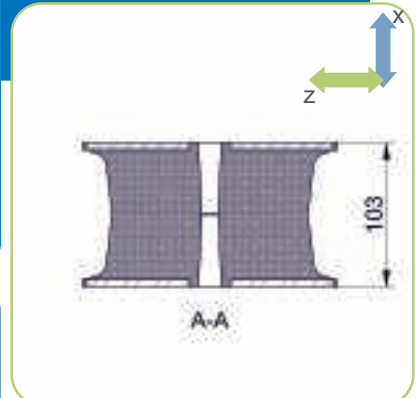
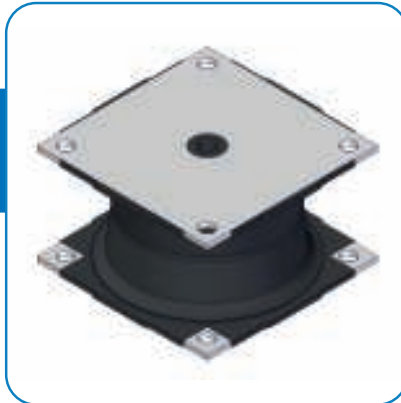
Description:

Product code:
235FLX010010

Compression spring rate:1960
N/mm.

Recommended max.
compression force: 36460N.

Shear spring rate: 290N/mm.
Recommended max. shear
force: 6670 N.



235 FLX01 0012

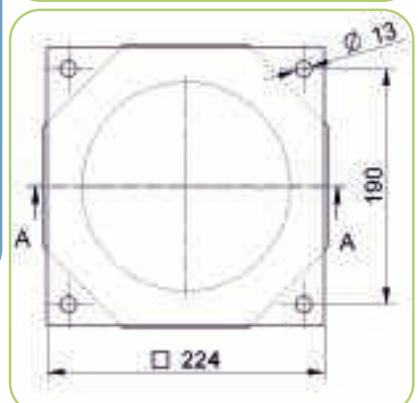
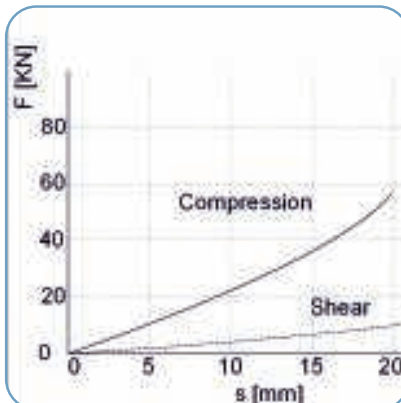
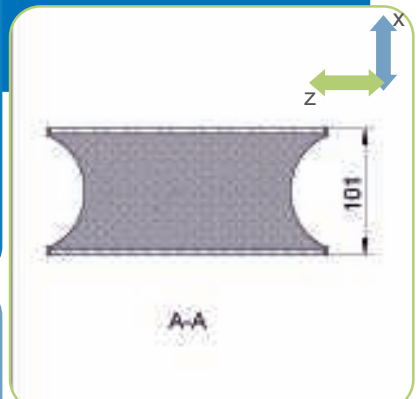
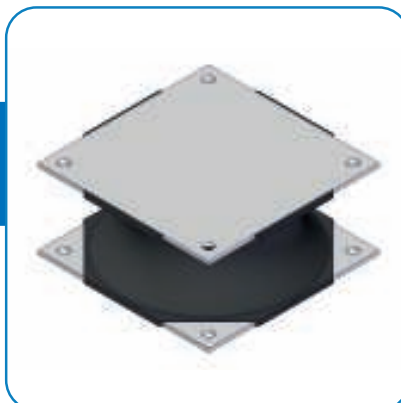
Description:

Product code: 235FLX010012

Compression spring rate:2780
N/mm.

Recommended max.
compression force: 50040N.

Shear spring rate: 330N/mm.
Recommended max. shear
force: 5940 N.



235 FLX01 0005

Description:

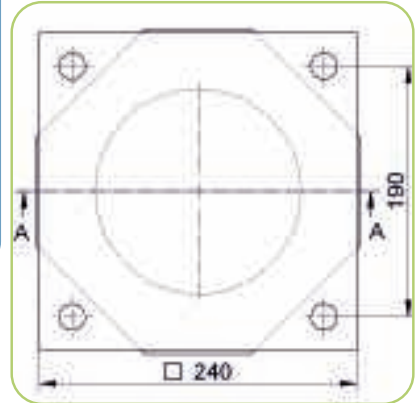
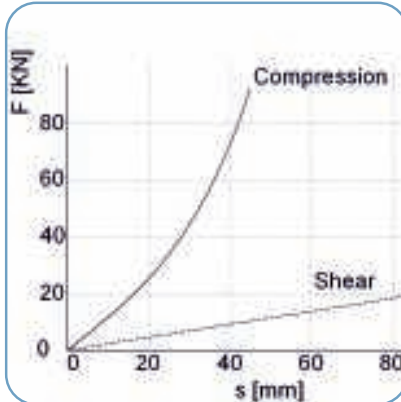
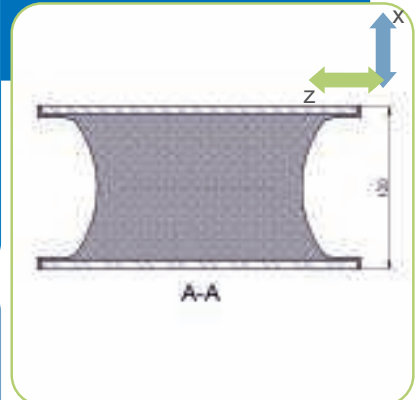
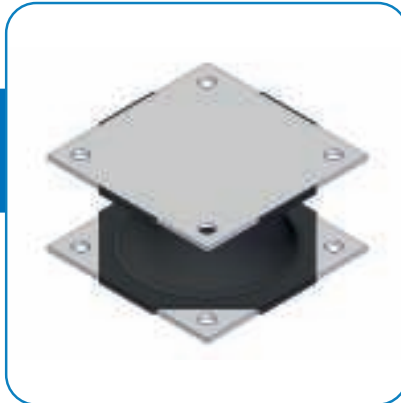
Product code: 235FLX010005

Compression spring rate: 1360 N/mm.

Recommended max. compression force: 29900N.

Shear spring rate: 186N/mm.

Recommended max. shear force: 5020 N.



235 FLX01 0009

Description:

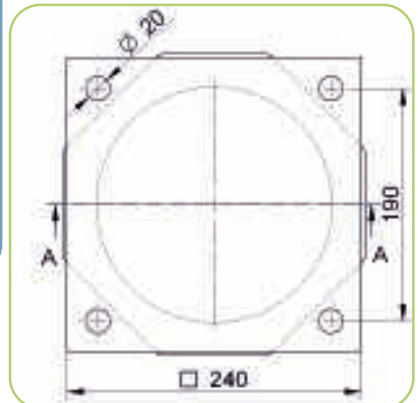
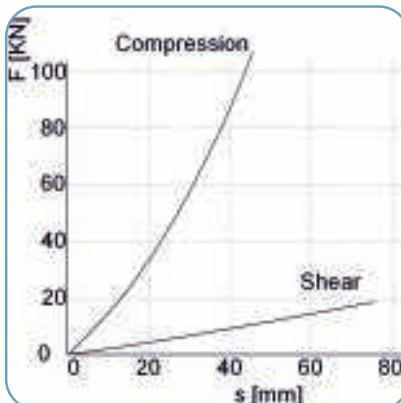
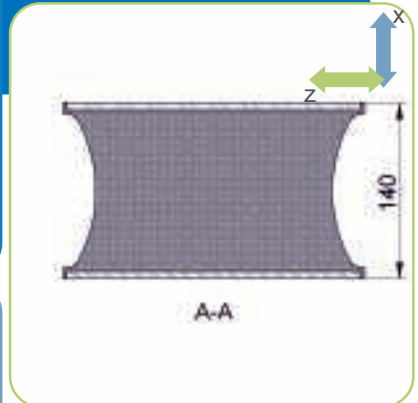
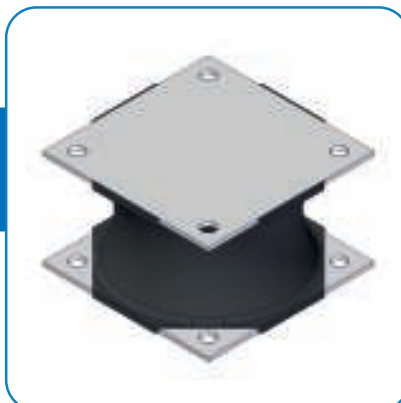
Product code: 235FLX010009

Compression spring rate: 1880 N/mm.

Recommended max. compression force: 47000N.

Shear spring rate: 260N/mm.

Recommended max. shear force: 7800 N.



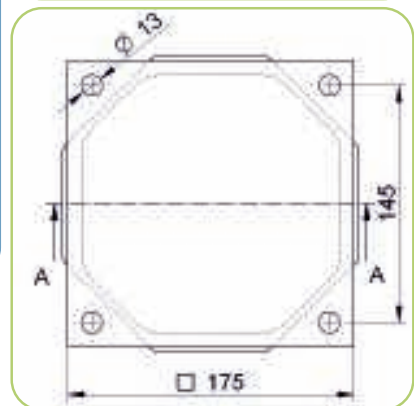
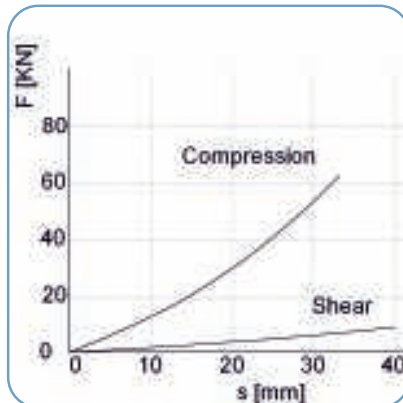
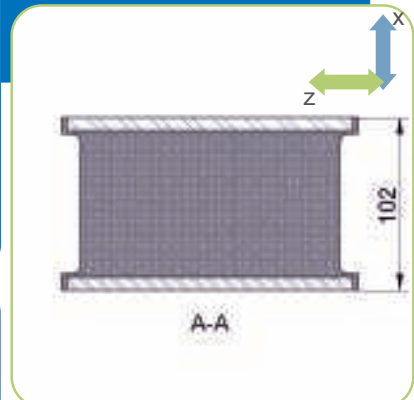
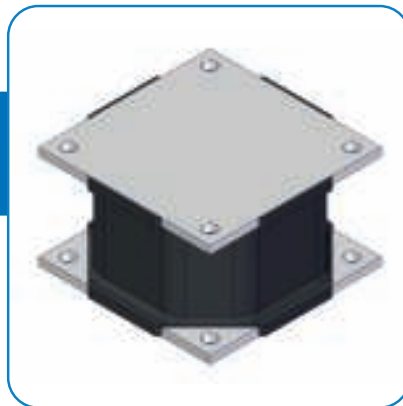
235 FLX01 0011

Description:

Product code: 235FLX010011

Compression spring rate: 1470 N/mm.
Recommended max. compression force: 24900N.

Shear spring rate: 210N/mm.
Recommended max. shear force: 4520 N.



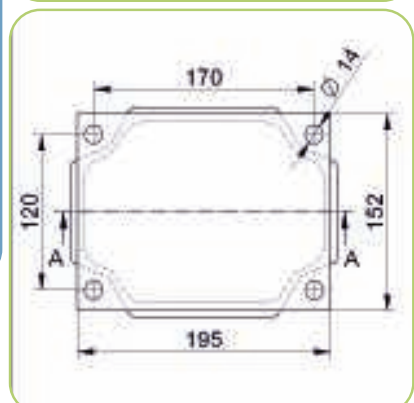
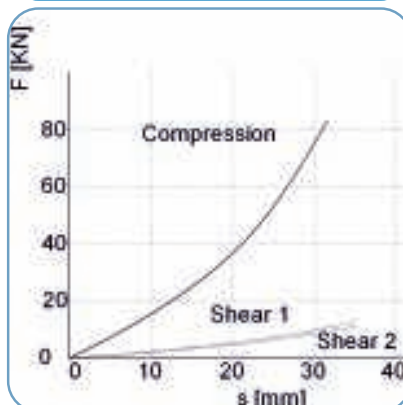
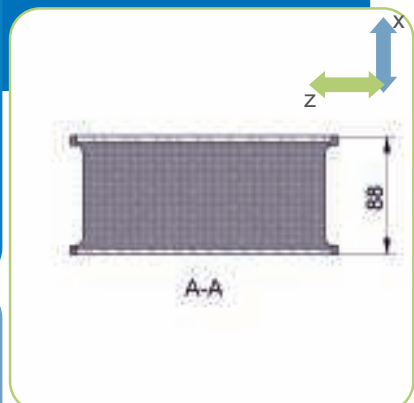
235 FLX01 0008

Description:

Product code:
235FLX010008

Compression spring rate: 1700 N/mm.
Recommended max. compression force: 20400N.

Shear1 spring rate: 270N/mm.
Recommended max. shear1 force: 4860 N.
Shear2 spring rate: 260N/mm.
Recommended max. shear2 force: 4680 N.



FLEXIBIL srl

3 Subdura Street, code 437229
Săsar, Maramures County, Romania

P: +40 362 40 11 50

P: +40 262 34 90 34

F: +40 362 40 11 51

email: office@flexibil.com



Contact:

Sales: **Nicolae Borota (EN)**
e-mail: nborota@flexibil.com

Horea Cosmin Cordos (EN, DE)
e-mail: hcordos@flexibil.com

Radu Rusu (EN, DE)
e-mail: rrusu@flexibil.com

F. direct: +40 362 40 45 05